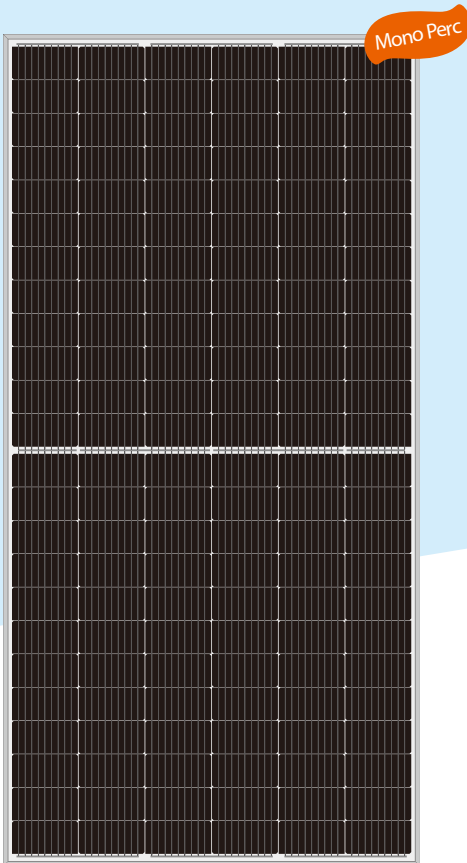


HCM72X9

400~415W

Half-Cell High Efficiency PV Module



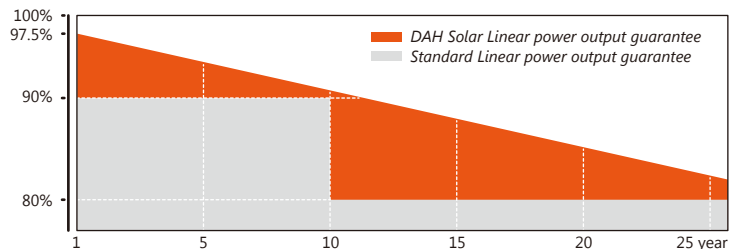
Comprehensive Products and System Certificates

IEC 61215 / IEC 61730
 ISO 9001: 2015 / Quality management system
 ISO 14001: 2015 / Standards for environmental management system
 OHSAS 18001: 2007 / International standards for occupational health & safety



Quality Guarantee

- 12-year** Material & technology warranty
- 25-year** Linear power output warranty



Max Module Efficiency

20.7%



Half-cell & High eff.

9BB Half-cell technology, Higher output power



Less Shading Effect

Unique circuit design, Minimize shading effect



Lower Temperature

Lower temperature coefficient, Lower hot spot temperature



Weather Resistance

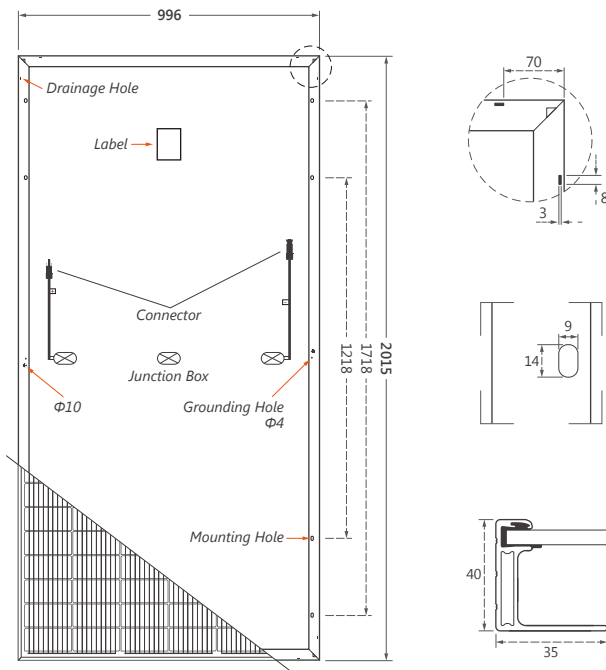
Pass Anti PID test. 100% double EL test, Minimizes micro-cracks



T6 Frame

T6 frame, better mechanical load, safer and more stable

Design



Mechanical Specification

Cells Type	Mono 158.75×79.375mm
Weight	22.4kg
Dimension (L×W×T)	2015×996×40mm
Cable	4.0mm ² , Portrait: 300mm(+)/400mm(-) Landscape: 1200mm(+)/1200mm(-)
No.of Cells	144 (6×24)
Packing	27pcs/pallet, 270pcs/20GP, 638pcs/40HQ
Glass	3.2mm High Transmission, Antireflection Coating
Junction box	IP68, 3 Bypass Diodes
Connector	MC4 Compatible

Operating Parameters

Maximum system voltage	1000V/1500V DC
Operating Temperature	-40 ~ +85°C
Maximum series fuse rating	20A
Snow load, frontside	5400Pa
Wind load, backside	2400Pa
Nominal operating cell temperature	42.3°C±2°C
Application level	Class A

Electrical Characteristics(STC)

Module Type	HCM72X9-400W	HCM72X9-405W	HCM72X9-410W	HCM72X9-415W
Maximum Power (Pmax)	400W	405W	410W	415W
Open-circuit Voltage (Voc)	49.0V	49.2V	49.4V	49.6V
Maximum Power Voltage (Vmp)	40.6V	40.8V	41.0V	41.2V
Short-circuit Current (Isc)	10.32A	10.35A	10.40A	10.43A
Maximum Power Current (Imp)	9.86A	9.93A	10.00A	10.08A
Module Efficiency (%)	19.9%	20.2%	20.4%	20.7%
Power Tolerance	0~+5W			
Temperature Coefficient of Isc	0.05%/°C			
Temperature Coefficient of Voc	-0.31%/°C			
Temperature Coefficient of Pmax	-0.35%/°C			
Standard Test Environment	Irradiance 1000W/m ² , Cell temperature 25°C, Spectrum AM1.5			

Electrical Characteristics(NOCT)

Module Type	HCM72X9-400W	HCM72X9-405W	HCM72X9-410W	HCM72X9-415W
Maximum Power (Pmax)	302W	305W	309W	313W
Open-circuit Voltage (Voc)	47.3V	47.5V	47.7V	47.9V
Maximum Power Voltage (Vmp)	39.6V	39.8V	40.1V	40.3V
Short-circuit Current (Isc)	8.19A	8.23A	8.27A	8.31A
Maximum Power Current (Imp)	7.63A	7.67A	7.71A	7.77A
Standard Test Environment	Irradiance 800W/m ² , Cell temperature 20°C, Spectrum AM1.5, Wind speed 1m/s			